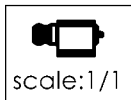
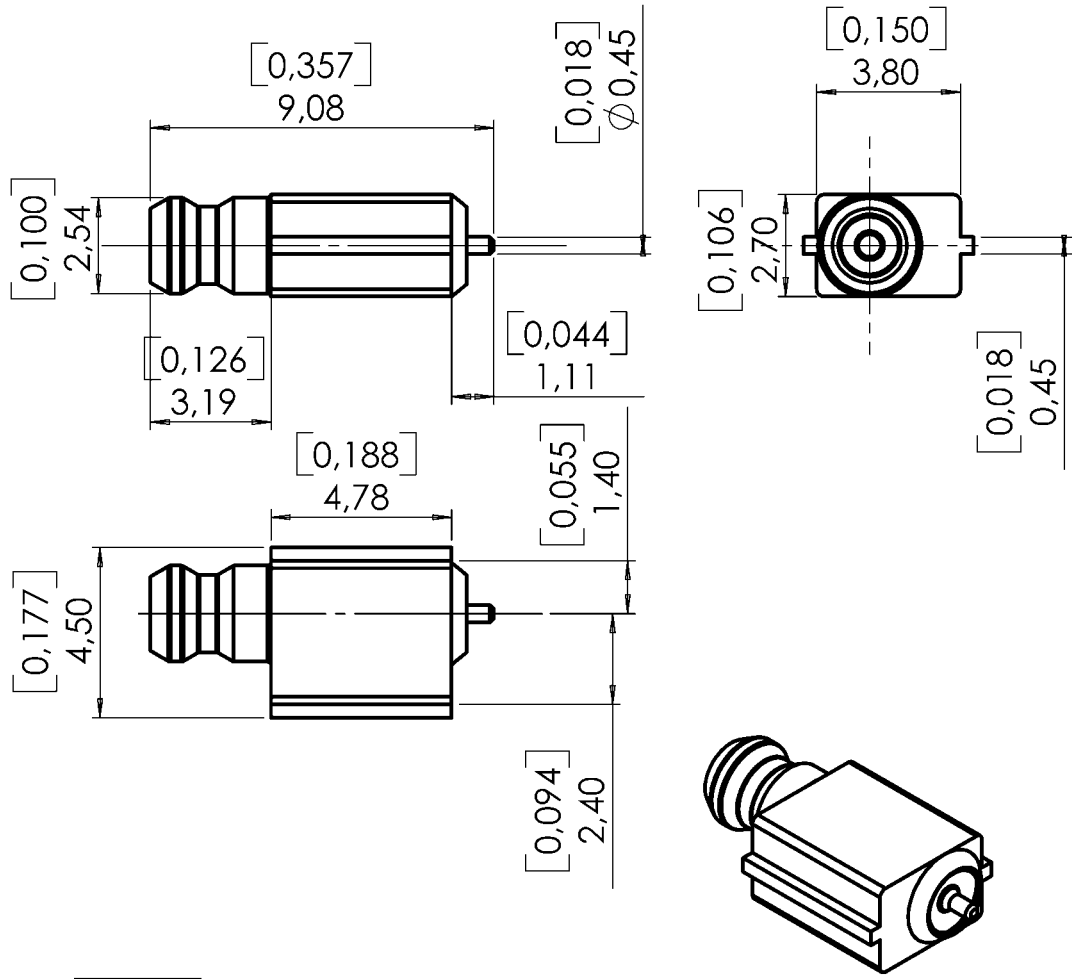


EDGE CARD RECEPTACLE

REEL OF 100

R199.006.413

Series : MOEBIUS



All dimensions are in mm/[inch]



COMPONENTS	MATERIALS	PLATING (μm)
BODY	BRASS	NPGR
CENTER CONTACT	BRASS	NPGR
OUTER CONTACT	BRASS	NPGR
INSULATOR	-PEEK	
GASKET	-	
OTHERS PARTS	-	
.		.
.		.
.		.

Issue : 0710 A

In the effort to improve our products, we reserve the right to make changes judged to be necessary.



EDGE CARD RECEPTACLE

R199.006.413

REEL OF 100

Series : MOEBIUS

PACKAGING

SPECIFICATION

Standard	Unit	Other
100	'W' option	Contact us

ELECTRICAL CHARACTERISTICS

ENVIRONMENTAL

Impedance	50	Ω
Frequency	0-6	GHz
VSWR	1.05 + 0,0500	x F(GHz) Maxi
Insertion loss	0.2	\sqrt{F} (GHz) dB Maxi
Voltage rating	100	Veff Maxi
Dielectric withstanding voltage	250	Veff mini
Insulation resistance	3000	M Ω mini

Operating temperature	-40/+110	$^{\circ}$ C
Hermetic seal		Atm.cm3/s
Panel leakage		

OTHER CHARACTERISTICS

Assembly instruction

Others :

MECHANICAL CHARACTERISTICS

Mating life	25000	Cycles mini
Weight	0,3800	g

Issue : 0710 A

In the effort to improve our products, we reserve the right to make changes judged to be necessary.



EDGE CARD RECEPTACLE

R199.006.413

REEL OF 100

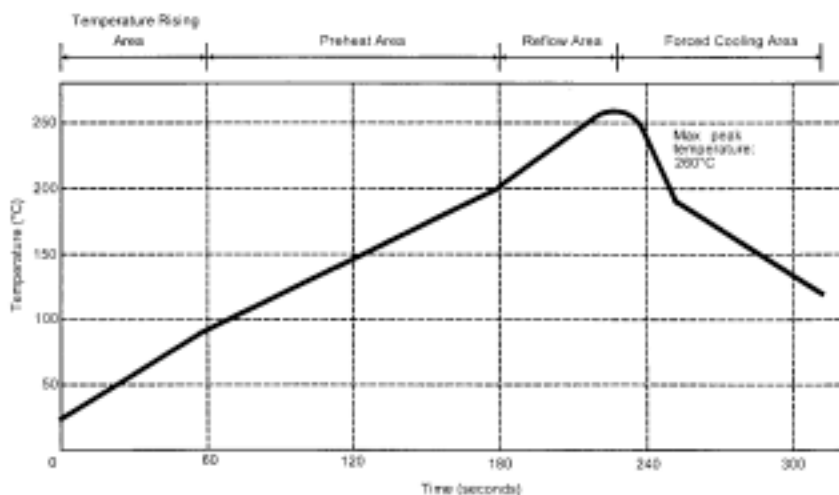
Series : **MOEBIUS**

SOLDER PROCEDURE

1. Deposition of solder paste ‘Sn Ag4 Cu0.5’ on mounting zone by screen printing application. We recommend a low residue flux.
We advise a thickness of 150 microns mini (0.006 inch mini). Verify that the edges of the zone are clean.
2. Placement of the receptacle on the mounting zone with an automatic machine of ‘pick and place’ type.
Video camera is recommended for the positioning of the component. Adhesive agents must not be used on the receptacle.
3. Soldering by infra-red reflow.
Below, please find the typical profile to use.
4. Cleaning of printed circuit boards.
5. Checking of solder joints and position of the component by visual inspection.

TEMPERATURE PROFILE

INFORMATION ABOUT PAD



Parameter	Value	Unit
Temperature rising Area	1 - 4	°C/sec
Max Peak Temperature	260	°C
Max dwell time @260°C	10	sec
Min dwell time @235°C	20	sec
Max dwell time @235°C	60	sec
Temperature drop in cooling Area	-1 to - 4	°C/sec
Max dwell time above 100°C	420	sec

Issue : 0710 A

In the effort to improve our products, we reserve the right to make changes judged to be necessary.



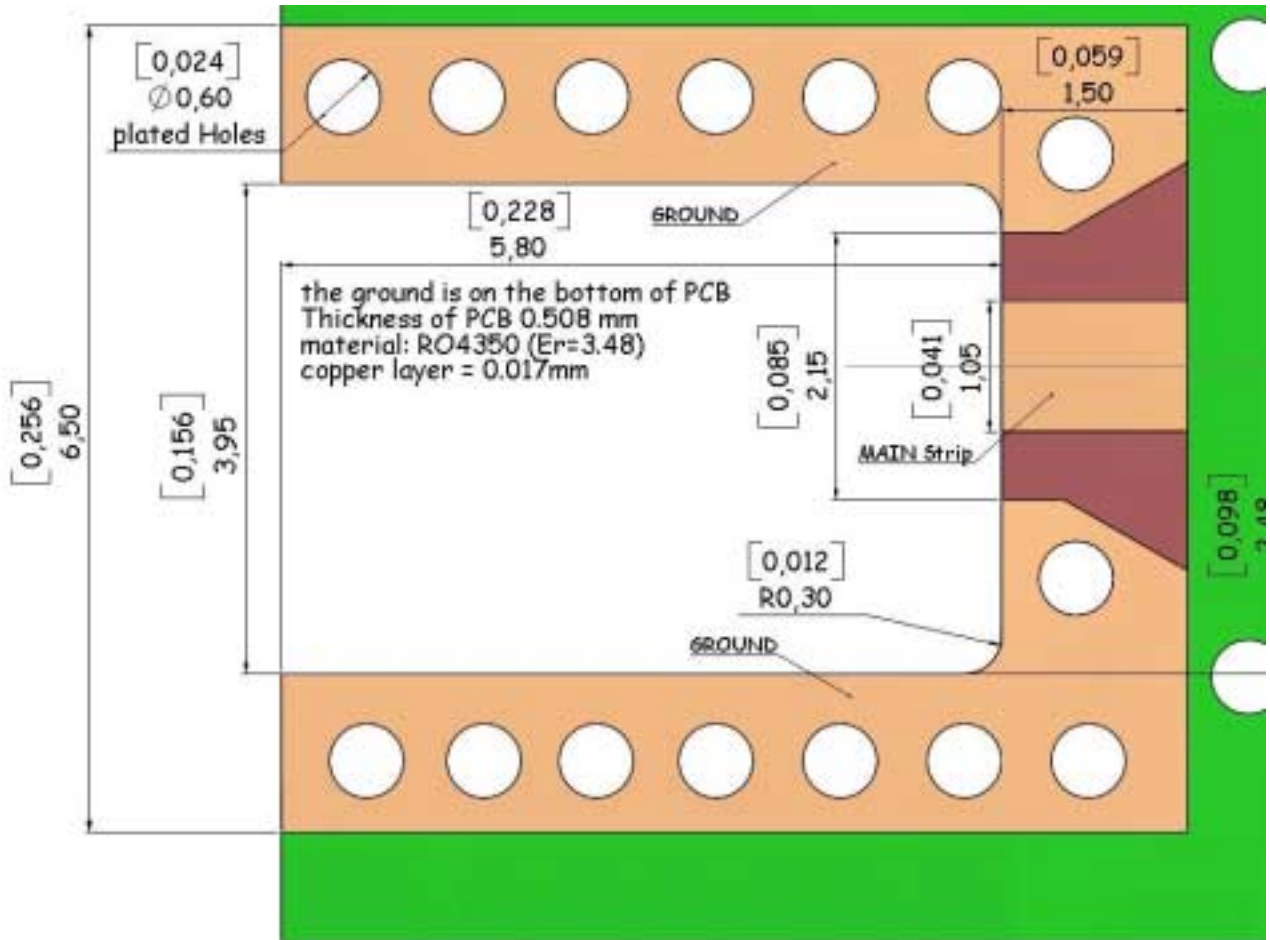
EDGE CARD RECEPTACLE

R199.006.413

REEL OF 100

Series : MOEBIUS

INFORMATION ABOUT PAD



Issue : 0710 A

In the effort to improve our products, we reserve the right to make changes judged to be necessary.



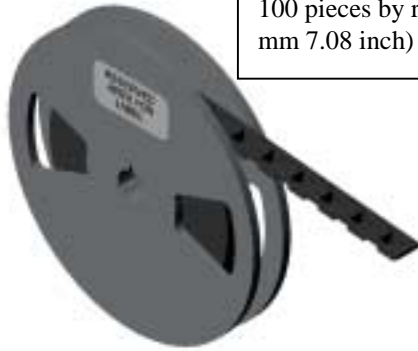
EDGE CARD RECEPTACLE

R199.006.413

REEL OF 100

Series : MOEBIUS

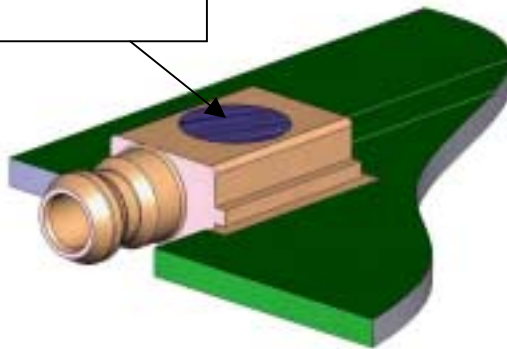
PACKAGING by reel



100 pieces by reel full package on reel (dia 180 mm 7.08 inch) , weight of on reel =0.1 Kg



Suction area diameter 3 mm or 0.118 inch



Issue : 0710 A

In the effort to improve our products, we reserve the right to make changes judged to be necessary.

